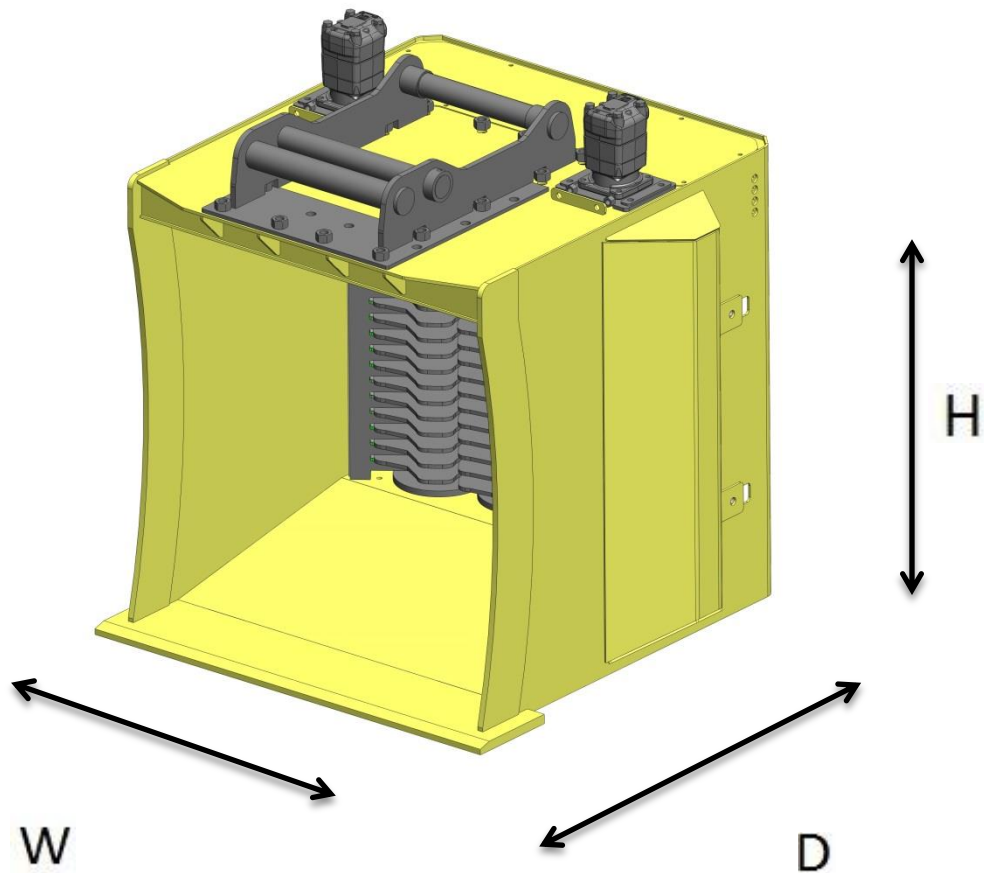


VIPER VPV 4 -1100 Pro Screen



INFORMATION	www.vipermetal.fi
Width, bucket [mm] (W)	1300
Width, axle [mm]	850
Depth [mm] (D)	1300
Height [mm] (H)	1500
Weight [kg]	1350
Screening area [m ²]	0,9
Volume ISO [m ³]	1
Volume SAE [m ³]	1,2
Recommended excavator (tons)	14
Recommended wheel loader (tons)	xx
Grain size [mm]	18, 25, 35
Recommended Oil flow	120-250
Recommended Oil pressure	200-350