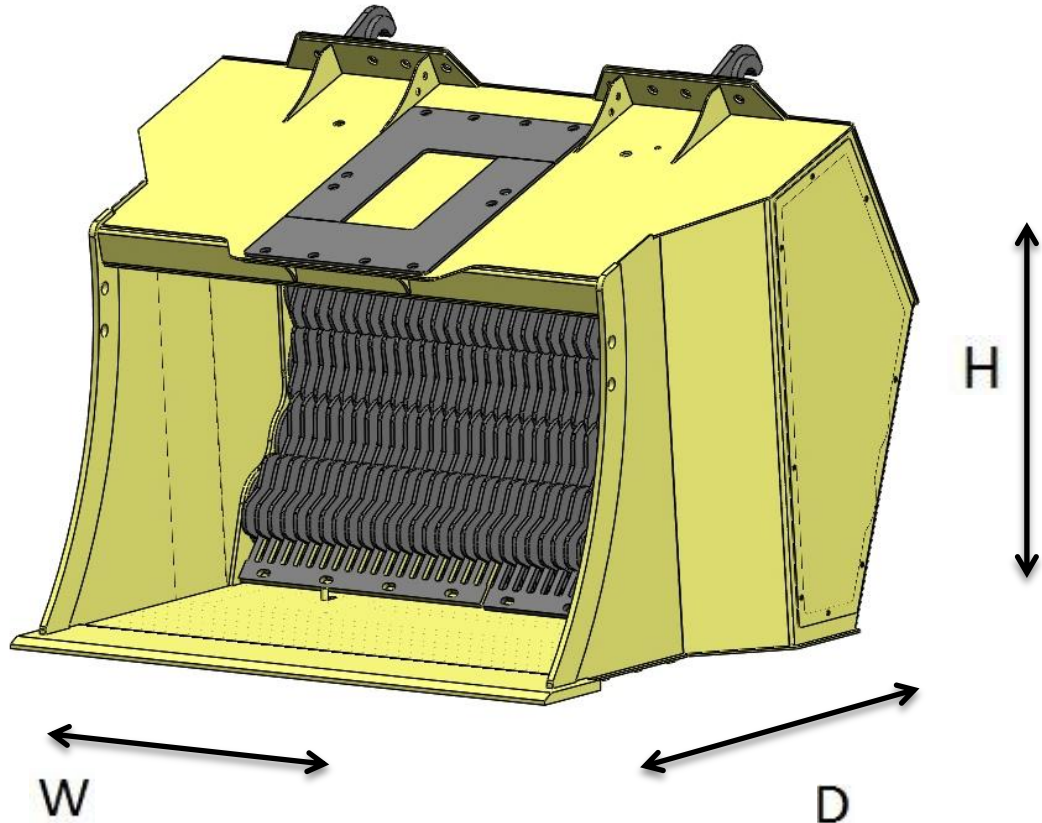


Info VIPER VPH 4-1500 Pro Screen



INFORMATION	WWW.VIPERMETAL.FI
Width, bucket [mm] (W)	1750
Width, axle [mm]	1350
Depth [mm] (D)	1200
Height [mm] (H)	1200
Weight [kg]	1300
Screening area [m ²]	1,3
Volume ISO [m ³]	1,0
Volume SAE [m ³]	1,1
Recommended excavator (tons)	12
Recommended wheel loader (tons)	5
Grain size [mm]	16, 24, 35
Recommended Oil flow	110-250
Recommended Oil pressure	200/300